

Twist-Lock® Devices
 15A, 250V, 2 Pole, 3 Wire Grounding
 Valise® Connector

HUBBELL

Features

- Two captive multiple drive assembly screws
- Totally insulated impact and crush resistant nylon body
- Powerful cord grips prevent conductor slippage and strain on wiring terminals



Ordering Information

Description	Cord Diameter	UPC	Catalog Number
Yellow nylon.	.220"-.660" (5.6-16.8)	783585236674	HBL4579VY

Listings

Listed to UL 498
 Fed.Spec. W-C-596
 Certified to CSA C22.2 No.42

Specifications

Housing	Nylon
Cable Inserts	Polyphenylene Oxide
Blades	Brass
Terminal Screws	#6-32 Brass (Phillips / Slotted / Robertson)
Terminal Clamp	Cold rolled steel – nickel plated
Assembly Screws	Steel - Zinc plated

Performance

Electrical

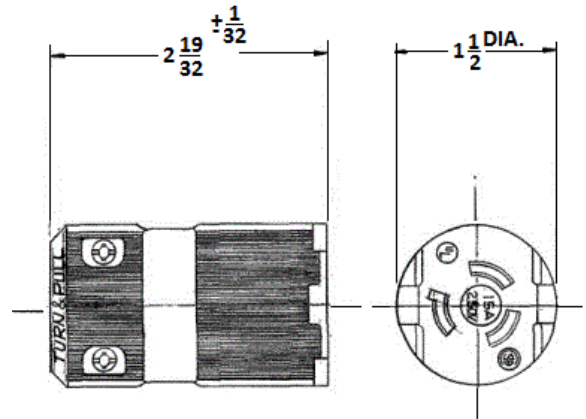
Current Interrupting Certified for full rated current
 Dielectric Voltage Withstand 2,000V minimum

Mechanical

Terminal Accommodation #18 AWG - #12 AWG stranded copper wire only.

Environmental

Flammability HB or better per UL 94 or CSA 22.2 No. 0.6
 Moisture Resistance IP20 Suitability
 Operating Temperatures Maximum Continuous 75°C Minimum -40°C (w/o impact)
 Terminal Identification Terminals identified in accordance with UL 498



Accessories

Plug	HBL4573VY
------	-----------

Resources

Customer Use Drawing
 eCatalog

Dimensions in Inches (mm)

Hubbell Wiring Device-Kellems • Hubbell Incorporated (Delaware) • 40 Waterview Drive • Shelton, CT 06484

Phone (800) 288-6000 • Fax (800) 255-1031 • Specifications subject to change without notice.

