

Non-NEMA Twist-Lock® Devices
 20A, 3 Phase Y 120/208V AC- only, 400 Hz, 4
 Pole, 5 Wire Grounding

Variload® Plug

HUBBELL

Features

- Heat resistant thermoset construction
- Non-interchangeable center pin configuration to be designated to different circuits

Ordering Information

| Description | Cord Diameter | UPC | Catalog Number |
|--|----------------------------|--------------|----------------|
| 4P5W, 20A 3PH 120/208V AC Max, Non-NEMA, Black Nonmetallic Body | .625"-1.00" (15.9-25.4) | 783585238104 | HBL45915 |

Listings

Listed to UL 498

Specifications

| | |
|-----------------|-------------------|
| Housing | Molded Thermoset |
| Cover | Molded thermoset |
| Cord Clamp | Zinc Plated Steel |
| Blades | Brass |
| Terminal Screw | Brass |
| Assembly Screws | Brass |

Performance

Electrical

| | |
|----------------------|--|
| Current Interrupting | Certified for current interrupting at full rated current |
| Dielectric Voltage | Withstand 2,000V minimum |

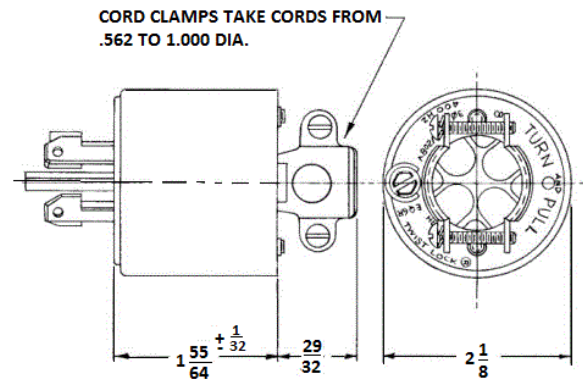
Mechanical

Terminal Accommodation #14 AWG - #10 AWG stranded copper wire only.

Terminal Identification Terminals identified in accordance with UL 498

Environmental

| | |
|------------------------|---|
| Flammability | HB or better per UL 94 or CSA 22.2 No. 0.6 |
| Operating Temperatures | Maximum Continuous 75°C; Minimum -40°C (w/o impact) |



Accessories

| | |
|-------------------|----------|
| Connector | HBL45935 |
| Single Receptacle | HBL4595 |
| Weatherproof Boot | HBL6027 |

Resources

Customer Use Drawing
 eCatalog

Dimensions in Inches (mm)

Hubbell Wiring Device-Kellems • Hubbell Incorporated (Delaware) • 40 Waterview Drive • Shelton, CT 06484

Phone (800) 288-6000 • Fax (800) 255-1031 • Specifications subject to change without notice.

