

## IEC Pin and Sleeve

60A, 3Phase, 480V, 3 Pole, 4 Wire

## Data Monitoring Watertight Connector Body

### Features

- Self-closing gasketed cover
- Super tough insulated non metallic housing
- Watertight neoprene glad seal to prevent water ingress from entering at cable entrance
- Sequential contact engagement to prevent a momentary over-voltage
- Multi contact spring provides and maintains high unit pressure on mating pins to minimize temperature rise

### Ordering Information

Description	UPC Number	Catalog Number
Watertight IEC Pin and Sleeve Connector Body	783585569062	HBL460C7WDMUS1

### Device Color

Red

### Listings

UL Listed, File E146033  
CSA Certified File LR280C  
UL Classified to IEC60309-1 IEC 60309-2

### Specifications

Cord Clamps	Reinforced Thermoplastic Polyester
Glands	Solid Neoprene
Cover	Reinforced Thermoplastic Polyester
Gaskets	Solid Neoprene

### Performance

#### Electrical

Current Interrupting	Certified for current interrupting at full rated current
Dielectric Voltage	Withstand 3000V AC
Max. Working Voltage	600V RMS

#### Mechanical

Impact Resistance	Per CSA C22.2 No.182.1 /UL1682
Product Identification	Ratings are a permanent part of the device housing
Terminal Identification	Terminals identified in accordance with North American and IEC conventions

#### Environmental

Flammability	HB or better per UL 94 or CSA C22.2 No. 0.17
Ingress Protection	IP67 Suitability
Moisture Resistance	Watertight per IEC 60309-1
Operating Temperatures	Maximum Continuous 75°C; Minimum - 40°C w/o impact

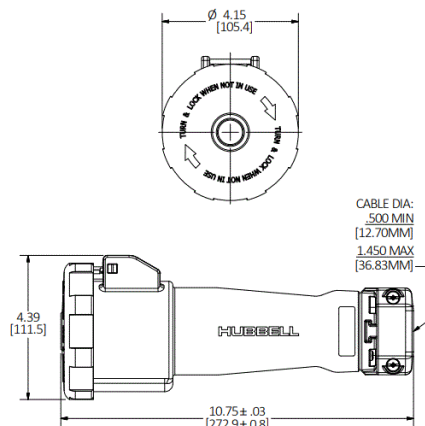
### Complementary Products

Cover Assemblies  
Cord Clamp and Locking Ring  
Liquidtight Adapters

### Online Resources

Customer Sales Drawing  
eCatalog  
Installation Instructions

# HUBBELL



Dimensions in Inches (mm)

Hubbell Wiring Device-Kellems • Hubbell Incorporated (Delaware) • 40 Waterview Drive • Shelton, CT 06484

Phone (800) 288-6000 • Fax (800) 255-1031 • Specifications subject to change without notice.

