

Hubbell Raceway

HBL4750 Series

Entrance Fitting, Divided

HUBBELL

Features

- Uses HBL 3000 Series raceway and fitting and accessories to customize the install
- Scratch resistant finish
- For use upto 600V AC

Ordering Information

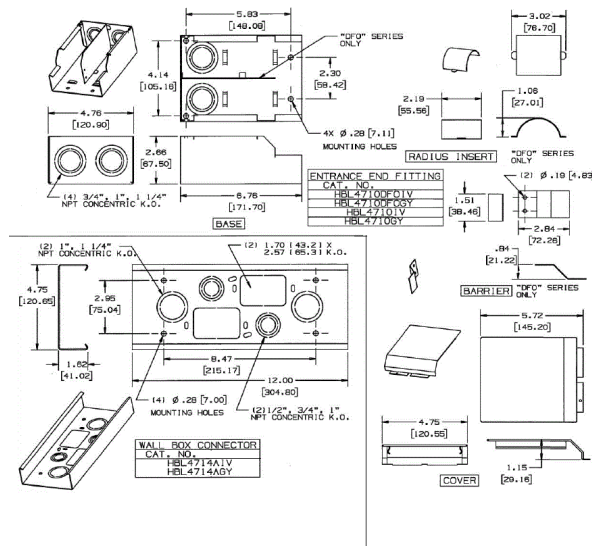
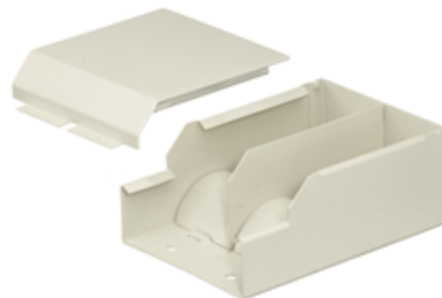
Accessory Type	Color	UPC Number
Entrance Fitting, Divided	Ivory	783585215686

Listings

UL Standard UL 5
 E253976 /E253830 /E253833
 CSA Standard C22.2 no. 62

Specifications

Raceway Series	HBL4750 Series
Material	Steel
Finish	Painted, Ivory



Related Products

Raceway Base	HBL4750B10IV
Cover, 5"	HBL4750CIV
Cover, 31.5"	HBL4750C315IV
Cover, 19"	HBL4750C195IV
Cover, 13"	HBL4750C135IV

Online Resources

Customer Sales Drawings
 eCatalog
 Installation Instructions

Dimensions in Inches (mm)

Hubbell Wiring Device-Kellems • Hubbell Incorporated (Delaware) • 40 Waterview Drive • Shelton, CT 06484

Phone (800) 288-6000 • Fax (800) 255-1031 • Specifications subject to change without notice.

