

Twist-Lock® Devices  
 15A, 125V, 2 Pole, 3 Wire Grounding  
 Receptacle

# HUBBELL

## Features

- Reinforced thermoplastic construction
- Single piece, all brass contacts
- All terminals are back and side wired
- Brass mounting strap with stainless steel grounding clip



15A 125V  
 NEMA L5-15R  
 UL/CSA



## Ordering Information

Description	Device Color	UPC	Catalog Number
Single, black nylon face mounted on a 4" (101.6) round box cover	Black	783585236742	HBL4711

## Listings

Listed to UL 498  
 Fed. Spec. W-C-596  
 Certified to CSA C22.2 No.42

## Specifications

Face	RTP
Base	RTP
Contacts	Brass
Clamp	Brass
Ground Contact	Brass
Terminal Screws	Brass

## Performance

### Electrical

Current Interrupting Certified for current interrupting at full rated current  
 Dielectric Voltage Withstands 2,000V minimum

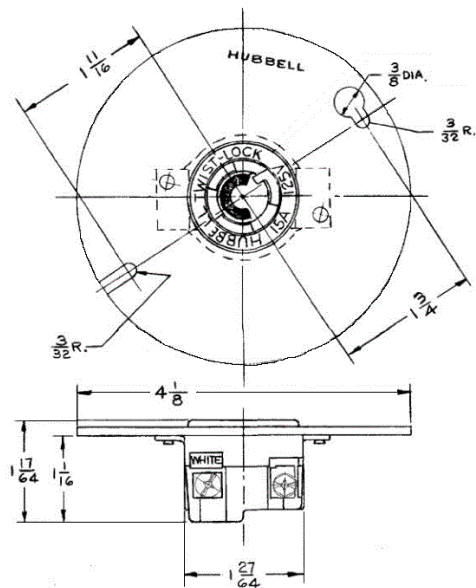
### Mechanical

Terminal Accommodation #18 AWG - #10 AWG solid or stranded copper wire only.

Terminal Identification Terminals identified in accordance with UL 498

### Environmental

Flammability HB or better per UL94/CSA 22.2 No.0.17  
 Operating Temperatures Maximum Continuous 75°C; Minimum -40°C (w/o impact)



## Accessories

Plug	HBL4720C
------	----------

## Resources

Customer Use Drawing  
 eCatalog

Dimensions in Inches (mm)

Hubbell Wiring Device-Kellems • Hubbell Incorporated (Delaware) • 40 Waterview Drive • Shelton, CT 06484

Phone (800) 288-6000 • Fax (800) 255-1031 • Specifications subject to change without notice.

