

Hubbell Raceway
HBL4750 Series
Interior Elbow, Divided



Features

- Uses HBL 3000 Series raceway and fitting and accessories to customize the install
- Scratch resistant finish
- For use upto 600V AC

Ordering Information

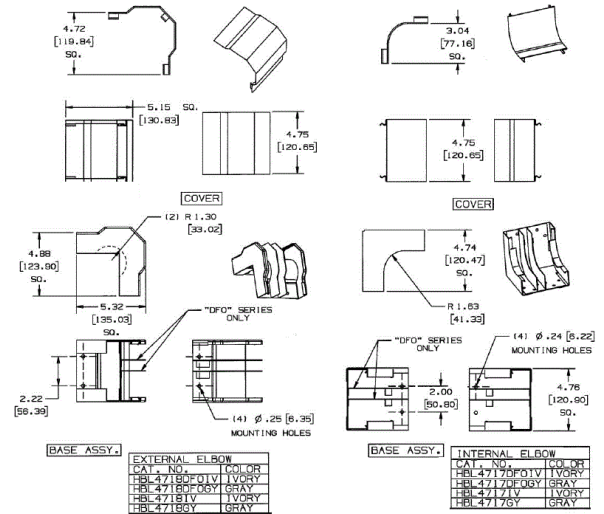
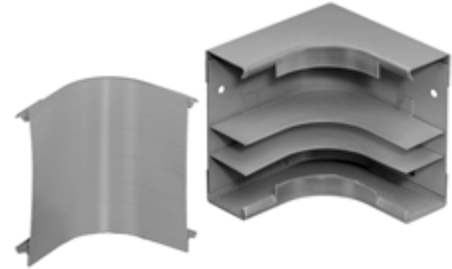
Accessory Type	Color	UPC Number
Interior Elbow, Divided	Gray	783585215839

Listings

UL Standard UL 5
 E253976 /E253830 /E253833
 CSA Standard C22.2 no. 62

Specifications

Raceway Series	HBL4750 Series
Material	Steel
Finish	Painted, Gray



Related Products

Raceway Base	HBL4750B10GY
Cover, 5"	HBL4750CGY
Cover, 31.5"	HBL4750C315GY
Cover, 19"	HBL4750C195GY
Cover, 13"	HBL4750C135GY

Online Resources

- Customer Sales Drawings
- eCatalog
- Installation Instructions

Dimensions in Inches (mm)

Hubbell Wiring Device-Kellems • Hubbell Incorporated (Delaware) • 40 Waterview Drive • Shelton, CT 06484

Phone (800) 288-6000 • Fax (800) 255-1031 • Specifications subject to change without notice.

