

Twist-Lock® Devices
 15A, 125V, 2 Pole, 3 Wire Grounding
 Valise® Plug

HUBBELL

Features

- Two captive multiple drive assembly screws
- Totally insulated impact and crush resistant nylon body
- Powerful cord grips prevent conductor slippage and strain on wiring terminals

Ordering Information

Description	Cord Diameter	UPC	Catalog Number
Yellow nylon.	.220"-.660" (5.6-16.8)	783585236803	HBL4723VY

Listings

Listed to UL 498
 Fed.Spec. W-C-596
 Certified to CSA C22.2 No.42

Specifications

Housing	Nylon
Cable Inserts	Polyphenylene Oxide
Blades	Brass
Terminal Screws	#6-32 Brass (Phillips / Slotted / Robertson)
Terminal Clamp	Cold rolled steel – nickel plated
Assembly Screws	Steel - Zinc plated

Performance

Electrical

Current Interrupting	Certified for current interrupting at full rated current
Dielectric Voltage	Withstands 2,000V minimum

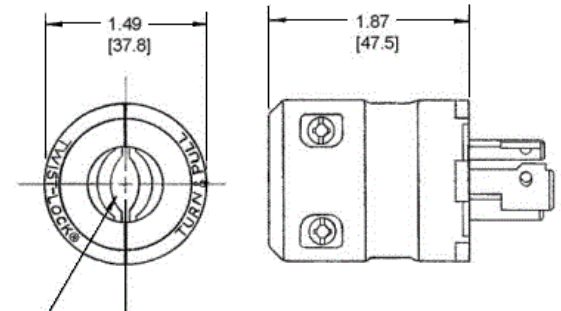
Mechanical

Terminal Accommodation	#18 AWG - #12 AWG stranded copper wire only.
------------------------	----------------------------------------------

Terminal Identification	Terminals identified in accordance with UL 498
-------------------------	------------------------------------------------

Environmental

Flammability	HB or better per UL 94 or CSA 22.2 No. 0.6
Moisture Resistance	IP20 Suitability
Operating Temperatures	Maximum Continuous 75°C Minimum -40°C (w/o impact)



CORD RANGE: .220-.660 [5.5-16.5]
 TYPE: 18/3-16/3 SV, SJ, S
 14/3 SJ, S
 12/3 S

Accessories

Connector	HBL4729VY
Duplex Receptacle	HBL4700
Single Receptacle	HBL4710
Flanged Receptacle	HBL4715C

Resources

Customer Use Drawing
 eCatalog

Dimensions in Inches (mm)

Hubbell Wiring Device-Kellems • Hubbell Incorporated (Delaware) • 40 Waterview Drive • Shelton, CT 06484

Phone (800) 288-6000 • Fax (800) 255-1031 • Specifications subject to change without notice.

