

# Twist-Lock® Devices 15A, 277V AC, 2 Pole, 3 Wire Grounding Receptacle

# HUBBELL

## Features

- Reinforced thermoplastic construction
- Single piece, all brass contacts
- All terminals are back and side wired
- Brass mounting strap with stainless steel grounding clip



15A 277V AC  
NEMA L7-15R  
UL/CSA  
2 HP



## Ordering Information

Description	Device Color	UPC	Catalog Number
Single, panel mount, black nylon face, side wired only	Black	783585236919	HBL4763

## Listings

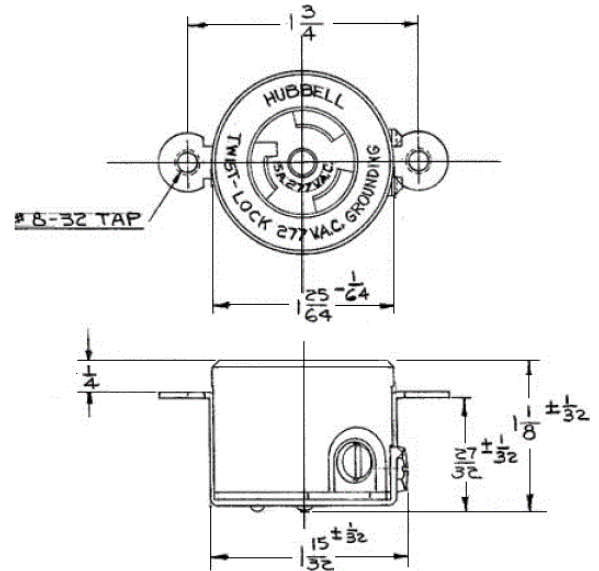
Listed to UL 498  
Fed. Spec. W-C-596  
Certified to CSA C22.2 No.42

## Specifications

Face	RTP
Base	RTP
Contacts	Brass
Clamp	Brass
Ground Contact	Brass
Terminal Screws	Brass

## Performance

Electrical	
Current Interrupting	Certified for current interrupting at full rated current
Dielectric Voltage	Withstands 2,000V minimum
Mechanical	
Terminal Accommodation	#18 AWG - #10 AWG solid or stranded copper wire only.
Terminal Identification	Terminals identified in accordance with UL 498
Environmental	
Flammability	HB or better per UL94/CSA 22.2 No.0.17
Operating Temperatures	Maximum Continuous 75°C; Minimum -40°C (w/o impact)



## Accessories

Plug	HBL4770C
------	----------

## Resources

Customer Use Drawing  
eCatalog

Dimensions in Inches (mm)

Hubbell Wiring Device-Kellems • Hubbell Incorporated (Delaware) • 40 Waterview Drive • Shelton, CT 06484

Phone (800) 288-6000 • Fax (800) 255-1031 • Specifications subject to change without notice.

