

**Hubbell Raceway**  
**HBL4750 Series**  
**Takeoff Cover**



**Features**

- Uses HBL 3000 Series raceway and fitting and accessories to customize the install
- Scratch resistant finish
- For use upto 600V AC

**Ordering Information**

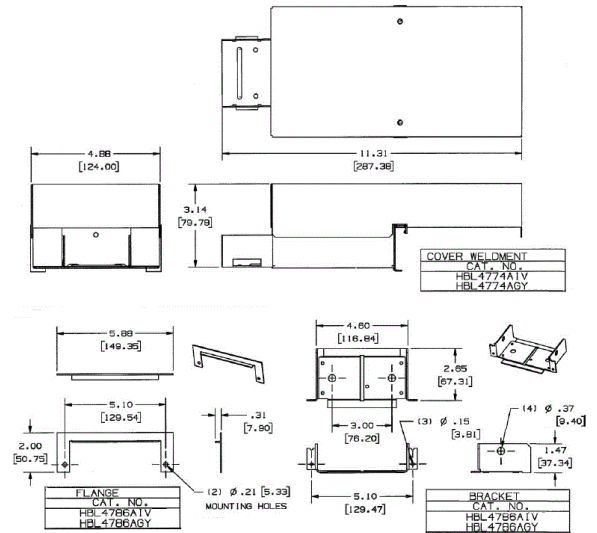
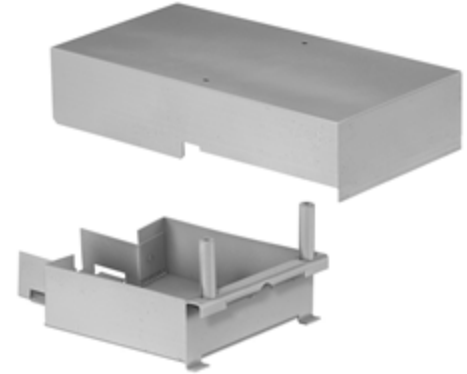
Accessory Type	Color	UPC Number
Takeoff Cover	Gray	783585216614

**Listings**

UL Standard UL 5  
 E253976 /E253830 /E253833  
 CSA Standard C22.2 no. 62

**Specifications**

Raceway Series	HBL4750 Series
Material	Steel
Finish	Painted, Gray



**Related Products**

Raceway Base	HBL4750B10GY
Cover, 5'	HBL4750CGY
Cover, 31.5"	HBL4750C315GY
Cover, 19"	HBL4750C195GY
Cover, 13"	HBL4750C135GY

**Online Resources**

- Customer Sales Drawings
- eCatalog
- Installation Instructions

Dimensions in Inches (mm)

Hubbell Wiring Device-Kellems • Hubbell Incorporated (Delaware) • 40 Waterview Drive • Shelton, CT 06484

Phone (800) 288-6000 • Fax (800) 255-1031 • Specifications subject to change without notice.

