

Straight Blade Devices
4-PLEX® Accessory
4-PLEX Adapter plate

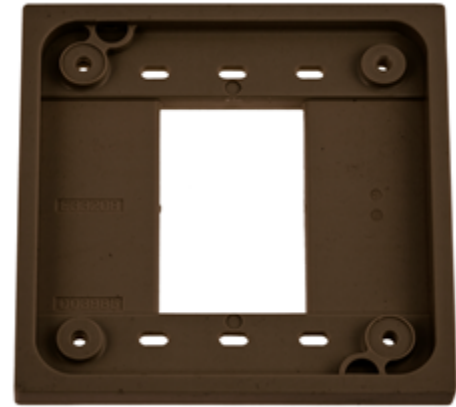
HUBBELL

Features

- Mounts directly to 1 and 2 gang or 4-inch square boxes

Ordering Information

Description	Device Color	UPC	Catalog Number
4-PLEX adapter plates for 1- and 2-gang, device boxes	Brown	783585014036	HBL4AP

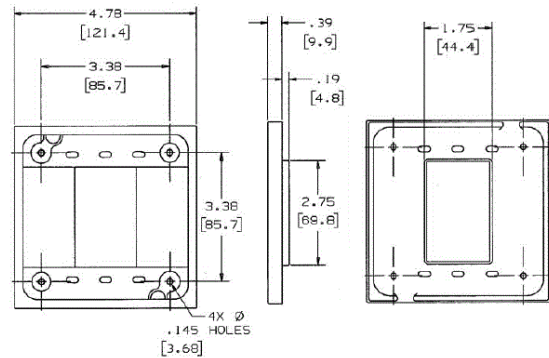


Listings

Listed to UL Standard 498 File E2186
Certified to CSA 22.2, No. 42 File 285

Specifications

Plate	Polycarbonate
-------	---------------



Resources

[Customer Use Drawing](#)
[eCatalog](#)