

**Raceway**  
**Metal Raceway**  
**HBL500 Series Base and Cover**

# HUBBELL

### Features

- Available in 10 foot lengths
- Packed 100 feet per carton
- HBL5701C coupling furnished with each length

### Ordering Information

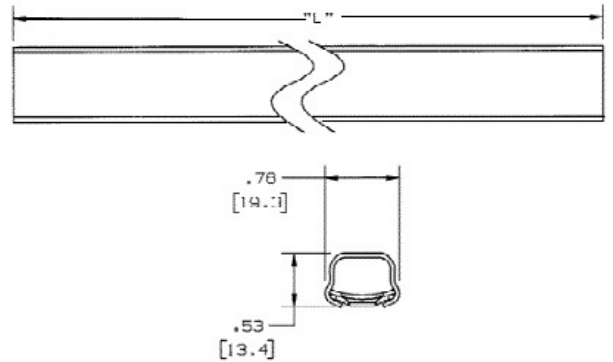
Description	Color	UPC Number	Catalog Number
Base and Cover	White	783585145204	HBL50010IV

### Listings

UL Listed  
CSA Certified

### Specifications

Height	0.53 inches
Width	0.76 inches
Length	10 feet



### Online Resources

Customer Use Drawing  
eCatalog  
Installation Instructions

Dimensions in Inches (mm)

Hubbell Wiring Device-Kellems • Hubbell Incorporated (Delaware) • 40 Waterview Drive • Shelton, CT 06484

Phone (800) 288-6000 • Fax (800) 255-1031 • Specifications subject to change without notice.

