

Raceway
Metal Raceway
HBL500 Series Transition Fitting

HUBBELL

Features

- For transitioning from either Wiremold® V500 to Hubbell HBL500 Raceway

Ordering Information

Description	Color	UPC Number	Catalog Number
Transition Fitting	Ivory	783585216676	HBL500TFIV

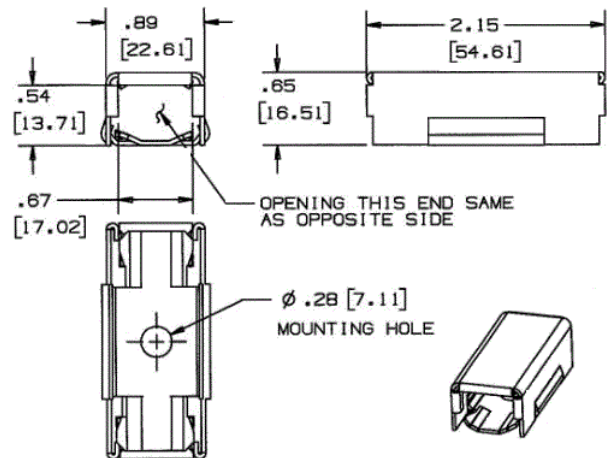


Listings

UL Listed
CSA Certified

Specifications

Height	0.65"
Width	0.89"
Length	2.15"



Online Resources

Customer Use Drawing
eCatalog
Installation Instructions

Dimensions in Inches (mm)

Hubbell Wiring Device-Kellems • Hubbell Incorporated (Delaware) • 40 Waterview Drive • Shelton, CT 06484

Phone (800) 288-6000 • Fax (800) 255-1031 • Specifications subject to change without notice.

