

## Cable Reels

### Heavy Duty Industrial Weatherproof Reels

# HUBBELL

#### Features

- Ratchet lock can be disengaged in field
- Optional pivot base allows 340° rotation of reel
- Multi-position roller guide can be mounted in four different positions

#### Ordering Information

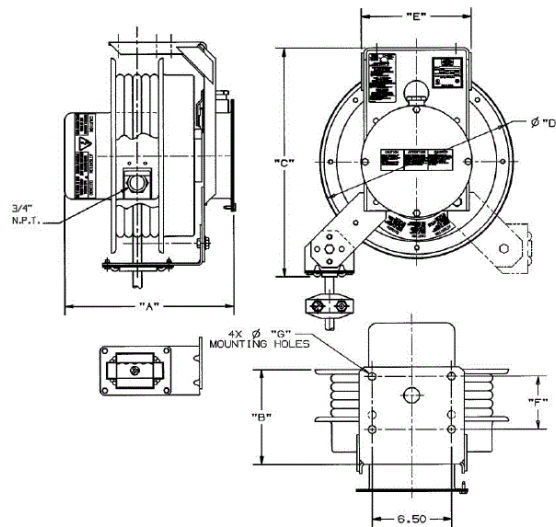
| Description                  | Color  | UPC Number   | Catalog Number |
|------------------------------|--------|--------------|----------------|
| 16" yellow weatherproof reel | Yellow | 783585209203 | HBL501242W     |

#### Listings

UL 355 and CSA  
C22.2 No. 308

#### Specifications

|                       |            |
|-----------------------|------------|
| Amperage              | 16         |
| Volts AC              | 600        |
| Cable Length Feet (m) | 50 (15.2)  |
| Cable Type            | 12/4 SOW-A |
| Weight Lbs. (kg)      | 86 (39.0)  |



#### Online Resources

Customer Sales Drawings  
eCatalog  
Installation Instructions

Dimensions in Inches (mm)

Hubbell Wiring Device-Kellems • Hubbell Incorporated (Delaware) • 40 Waterview Drive • Shelton, CT 06484

Phone (800) 288-6000 • Fax (800) 255-1031 • Specifications subject to change without notice.

