

Cable Reels

Heavy Duty Industrial Weatherproof Reels

HUBBELL

Features

- Ratchet lock can be disengaged in field
- Optional pivot base allows 340° rotation of reel
- Multi-position roller guide can be mounted in four different positions

Ordering Information

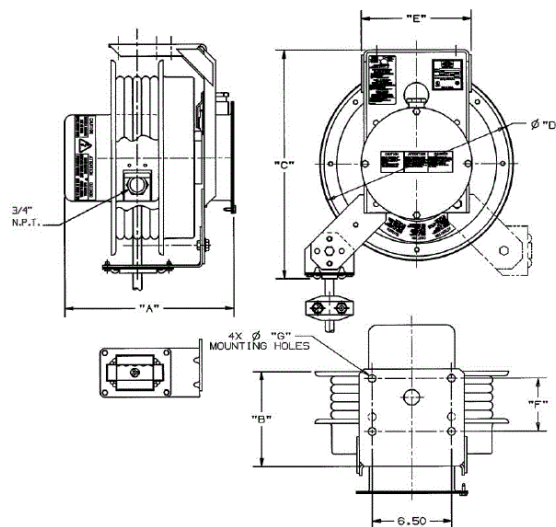
| Description | Color | UPC Number | Catalog Number |
|------------------------------|--------|--------------|----------------|
| 14" yellow weatherproof reel | Yellow | 783585209104 | HBL501431W |

Listings

UL 355 and CSA
C22.2 No. 308

Specifications

| | |
|-----------------------|------------|
| Amperage | 15 |
| Volts AC | 600 |
| Cable Length Feet (m) | 50 (15.2) |
| Cable Type | 14/3 SOW-A |
| Weight Lbs. (kg) | 55 (24.9) |



Online Resources

Customer Sales Drawings
eCatalog
Installation Instructions

Dimensions in Inches (mm)

Hubbell Wiring Device-Kellems • Hubbell Incorporated (Delaware) • 40 Waterview Drive • Shelton, CT 06484

Phone (800) 288-6000 • Fax (800) 255-1031 • Specifications subject to change without notice.

