

Raceway
Metal Raceway
HBL500 Series Mounting Strap

HUBBELL

Features

- For mounting HBL500, HBL700 or HBL750 Raceway to surface.
- Convert to one-hole by breaking off at score.

Ordering Information

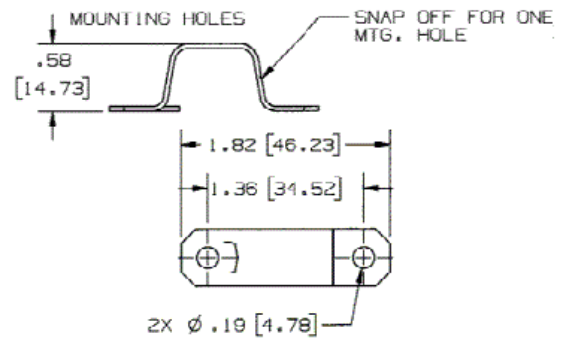
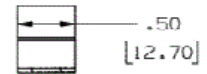
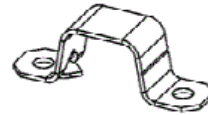
Description	Color	UPC Number	Catalog Number
Mounting Strap	White	783585145242	HBL504W

Listings

UL Listed
CSA Certified

Specifications

Height	0.58"
Width	0.50"
Length	1.50"



Online Resources

Customer Use Drawing
eCatalog
Installation Instructions

Dimensions in Inches (mm)

Hubbell Wiring Device-Kellems • Hubbell Incorporated (Delaware) • 40 Waterview Drive • Shelton, CT 06484

Phone (800) 288-6000 • Fax (800) 255-1031 • Specifications subject to change without notice.

