

Features

- Compact design minimizes required installation space
- Available with steel or nylon coated steel cable
- Large grounding jaw clamp for low resistant ground termination

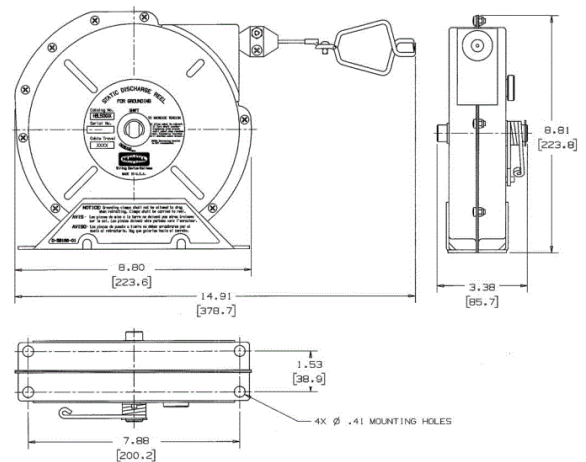
Ordering Information

UPC Number	Catalog Number
783585358741	HBL50SDN



Specifications

Cable Length Feet (m)	50 (15.2)
Cable Type	Single 3/32" Steel Nylon Coated
Weight Lbs. (kg)	13 (5.9)



Online Resources

Customer Sales Drawings
 eCatalog
 Installation Instructions