

Features

- Compact design minimizes required installation space
- Available with steel or nylon coated steel cable
- Large grounding jaw clamp for low resistant ground termination

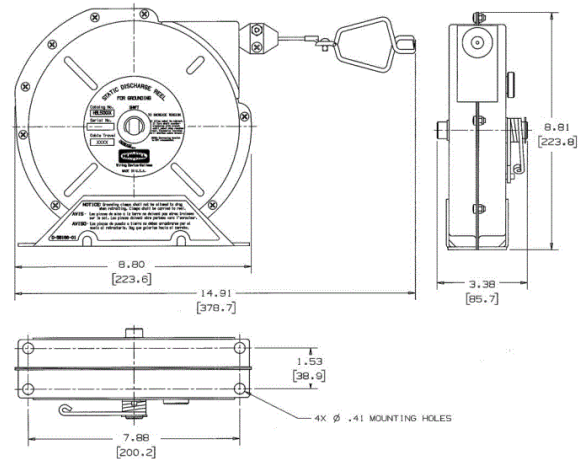
Ordering Information

UPC Number	Catalog Number
783585209005	HBL50SD



Specifications

Cable Length Feet (m)	50 (15.2)
Cable Type	Single 3/32" Steel
Weight Lbs. (kg)	12 (5.4)



Online Resources

Customer Sales Drawings
 eCatalog
 Installation Instructions