

Features

- Compact design minimizes required installation space
- Available with steel or nylon coated steel cable
- Large grounding jaw clamp for low resistant ground termination

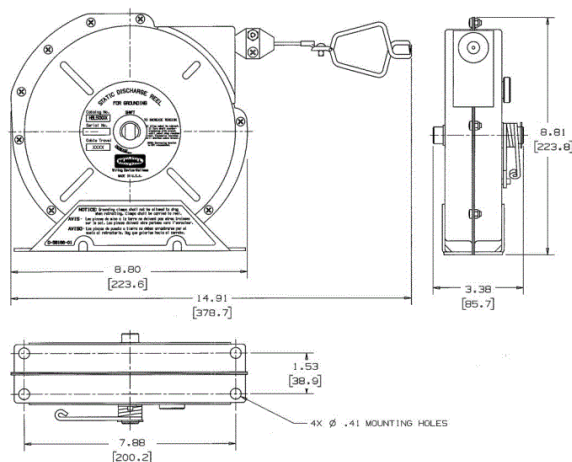
Ordering Information

UPC Number	Catalog Number
783585209050	HBL50YSD



Specifications

Cable Length Feet (m)	50 (15.2), 35 ft. (10.6m) + Dual 15 ft. (4.5m) for "Y"
Cable Type	Dual (Y) ³ / ₃₂ " Steel
Weight Lbs. (kg)	13 (5.9)



Online Resources

Customer Sales Drawings
 eCatalog
 Installation Instructions