

**Raceway**  
**Metal Raceway**  
**HBL500 Series External Elbow**

# HUBBELL

**Features**

- For outside surfaces at right angles.

**Ordering Information**

Description	Color	UPC Number	Catalog Number
External Elbow	Ivory	783585216744	HBL518IV

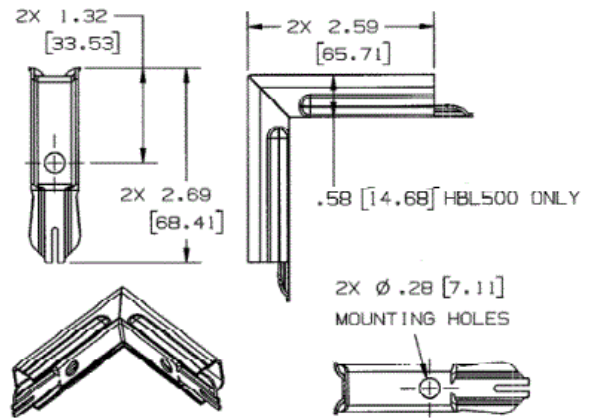


**Listings**

UL Listed  
 CSA Certified

**Specifications**

Height	0.58"
Width	2.59"
Length	2.59"



**Online Resources**

Customer Use Drawing  
 eCatalog  
 Installation Instructions

Dimensions in Inches (mm)

Hubbell Wiring Device-Kellems • Hubbell Incorporated (Delaware) • 40 Waterview Drive • Shelton, CT 06484

Phone (800) 288-6000 • Fax (800) 255-1031 • Specifications subject to change without notice.

