

# Wallplates Weatherproof Switch Plates, Covers and Locking Covers

# HUBBELL

## Features

- Weatherproof for outdoor use
- Rated for use in damp and wet locations with cover closed
- Vertical 4 screw box mount
- Marine Drip Proof

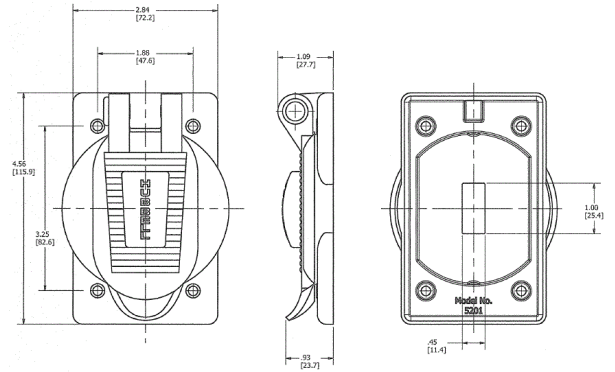


## Ordering Information

Description	Catalog Number	UPC Number
Switch cover for FS/FD Box Mounting	HBL5201	783585197975

## Listings

UL Listed  
CSA Certified  
NO DRAWING



## Specifications

Material	Thermoplastic
----------	---------------

## Online Resources

eCatalog

Dimensions in Inches (mm)

Hubbell Wiring Device-Kellems • Hubbell Incorporated (Delaware) • 40 Waterview Drive • Shelton, CT 06484

Phone (800) 288-6000 • Fax (800) 255-1031 • Specifications subject to change without notice.

