

Wallplates
 Weatherproof Covers for Duplex, GFCI,
 Surge Receptacles and Style Line® Devices

HUBBELL

Ordering Information

Description	Catalog Number	UPC
Cast aluminum, duplex opening, standard Box Mounting, horizontal	HBL5205WO	783585809137

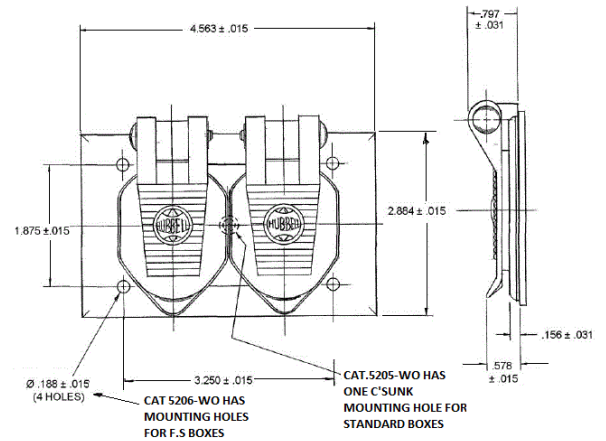


Listings

UL Listed
 CSA Certified

Specifications

Material	Aluminum
Spring	Stainless Steel
Hinge Pin	Zinc plated steel
Gasket	Rubber



Online Resources

Customer Use Drawing
 eCatalog
 Installation Instructions

Dimensions in Inches (mm)

Hubbell Wiring Device-Kellems • Hubbell Incorporated (Delaware) • 40 Waterview Drive • Shelton, CT 06484

Phone (800) 288-6000 • Fax (800) 255-1031 • Specifications subject to change without notice.

