

Straight Blade Devices  
15A, 125V, 2 Pole, 3 Wire Grounding  
Miscellaneous Receptacles

# HUBBELL

## Ordering Information

Description	Device Color	UPC	Catalog Number
Receptacle, clock hanger, brown with Stainless steel plate	Brown	783585014111	HBL5235

## Listings

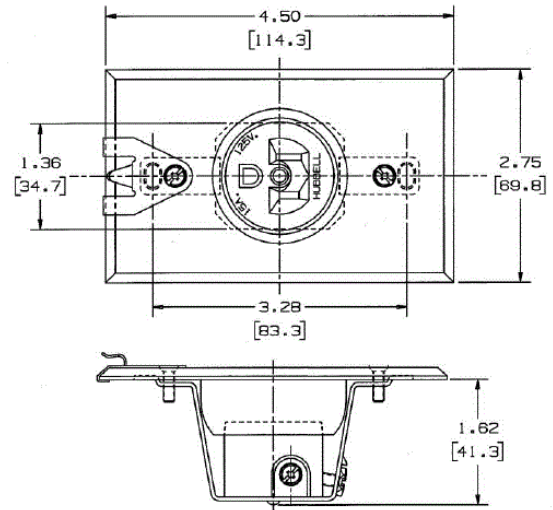
UL Listed to UL498 File E2186  
Certified to CSA, C22.2, No. 42 file 285  
NEMA® WD-6 Compliant

## Specifications

Face	Phenolic
Base	Phenolic
Power Contacts	.032" (.81) Brass

## Performance

<b>Electrical</b>	
Current Interrupting	Certified for current interrupting at full rated current
Dielectric Voltage	Withstands 2,000V minimum
<b>Mechanical</b>	
Product Identification	Ratings are a permanent part of the device
Terminal Accommodation	#14-#10 AWG copper stranded or solid conductor only
Terminal Identification	Terminals identified in accordance with UL 498 and CSA
<b>Environmental</b>	
Flammability	UL 94 V-2 or better
Operating Temperatures	Maximum continuous 75°C; minimum -40°C (w/o impact)



## Resources

Customer Use Drawing  
eCatalog

Dimensions in Inches (mm)

Hubbell Wiring Device-Kellems • Hubbell Incorporated (Delaware) • 40 Waterview Drive • Shelton, CT 06484

Phone (800) 288-6000 • Fax (800) 255-1031 • Specifications subject to change without notice.

