

Straight Blade Devices

20A, 125V, 2 Pole, 3 Wire Grounding

HBL[®] Extra Heavy Duty MAX Compact Duplex Receptacle

HUBBELL

Features

- Slender/compact design
- Brass Mounting Strap
- Triple wipe contacts

Ordering Information

Description	Device Color	UPC Number	Catalog Number
Back and side wired	White	783585435084	HBL5352W

Listings

NEMA[®] WD-6 Compliant
UL Listed to UL498 File No. E2186
Certified to CSA 22.2, No. 42 File 285
Fed. Spec. W-C596G

Specifications

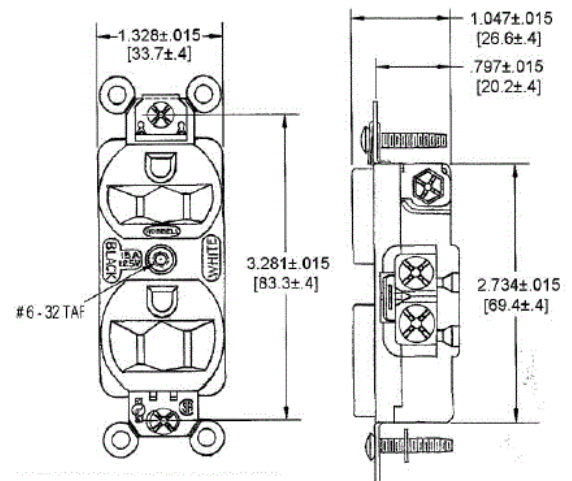
Face	Nylon
Base	RTP
Contacts	Brass
Wire Clamp	Plated brass
Terminal Screws	Brass
Mounting Strap	.031" (.8) Brass
Automatic Self-grounding Clip	Stainless steel
Mounting Screws	Steel-Zinc Plated

Performance

Electrical	
Current Interrupting	Certified for current interrupting at full rated current
Dielectric Voltage	Withstands 2,000V minimum
Mechanical	
Product Identification	Ratings are a permanent part of the device
Terminal Accommodation	#12-#10 AWG stranded or solid copper wire only
Terminal Identification	Terminals identified in accordance with UL 498 and CSA
Environmental	
Flammability	UL 94 V-0
Operating Temperatures	Maximum continuous 75°C; minimum -40°C (w/o impact)



20A 125V
NEMA 5-20R
UL CSA
1 HP



Complementary Products

Wallplate or Weatherproof Cover

Duplex Opening

Online Resources

Customer Sales Drawings
eCatalog
Installation Instructions

Dimensions in Inches (mm)

Hubbell Wiring Device-Kellems • Hubbell Incorporated (Delaware) • 40 Waterview Drive • Shelton, CT 06484

Phone (800) 288-6000 • Fax (800) 255-1031 • Specifications subject to change without notice.

