

Straight Blade Devices
 20A, 125V, 2 Pole, 3 Wire Grounding
 Heavy Duty, Single Receptacle

HUBBELL

Features

- Slender/compact design
- Triple wipe contacts
- Panel mount

Ordering Information

Description	Device Color	UPC	Catalog Number
Panel mount 1.75 in. (44.5) centers.	Brown	783585014739	HBL5358

Listings

UL Listed, File E2186
 Certified to CSA, C22.2, No. 42
 Fed. Spec. WC596
 NEMA® WD-6 Compliant

Specifications

Body	PBT
Insulator	RTP
Contacts	Brass
Terminal Screws	Brass
Mounting Strap	Galvanized steel
Automatic Self-grounding Clip	Stainless steel
Mounting Screws	Galvanized Steel

Performance

Electrical

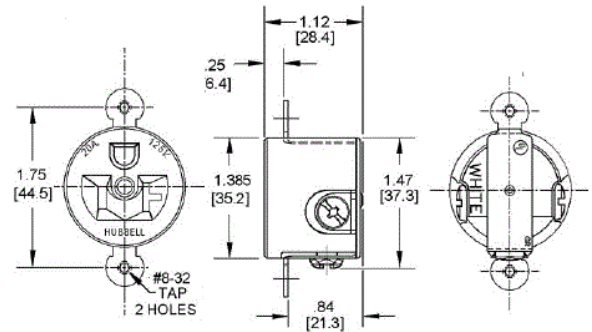
Current Interrupting Certified for current interrupting at full rated current
 Dielectric Voltage Withstands 2,000V minimum

Mechanical

Product Identification Ratings are a permanent part of the device
 Terminal Accommodation #12-#10 AWG stranded or solid copper wire only
 Terminal Identification Terminals identified in accordance with UL 498 and CSA

Environmental

Flammability UL 94 V-0
 Operating Temperatures Maximum continuous 75°C; minimum -40°C (w/o impact)



Resources

Customer Use Drawing
 eCatalog

Dimensions in Inches (mm)

Hubbell Wiring Device-Kellems • Hubbell Incorporated (Delaware) • 40 Waterview Drive • Shelton, CT 06484

Phone (800) 288-6000 • Fax (800) 255-1031 • Specifications subject to change without notice.

