

Single Pole Devices and Temporary Power

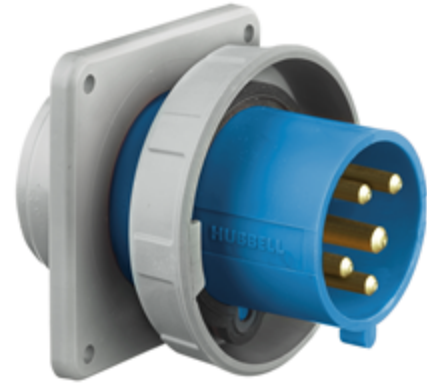
60A, 3Phase 120/208V

Replacement Parts - Receptacle

HUBBELL

Ordering Information

Description	Product Type	UPC	Catalog Number
60A, 3Ø 120/208V Pin and Sleeve reversed service receptacle (inlet).	Spider II Boxes	783585510064	HBL560B9R

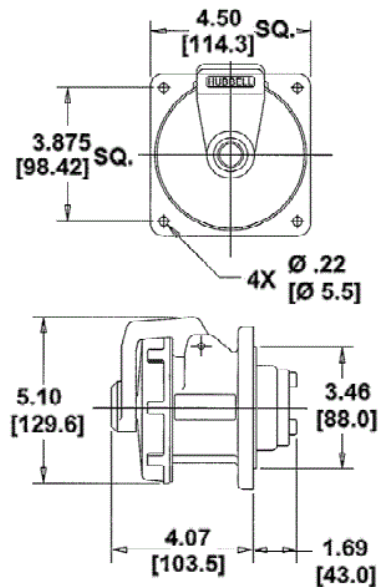


Standards

UL 1640 cUL and CSA, UL 943

Specifications

Enclosure Type	3R, rainproof, suitable for use in damp locations
Code Compliance	NEC®, ANSI/NFPA 70
Environment	Moisture Resistance



Online Resources

eCatalog

Dimensions in Inches (mm)

Hubbell Wiring Device-Kellems • Hubbell Incorporated (Delaware) • 40 Waterview Drive • Shelton, CT 06484

Phone (800) 288-6000 • Fax (800) 255-1031 • Specifications subject to change without notice.

