

Straight Blade Devices
 15A, 250V, 2 Pole, 3 Wire Grounding
 Compact Heavy Duty Specification Grade
 Duplex Receptacle

HUBBELL

Features

- One-piece brass integral ground strap
- Unique bypass contact design

Ordering Information

Description	Device Color	UPC	Catalog Number
Flush, duplex, side wired only	Ivory	783585435381	HBL5652I

Listings

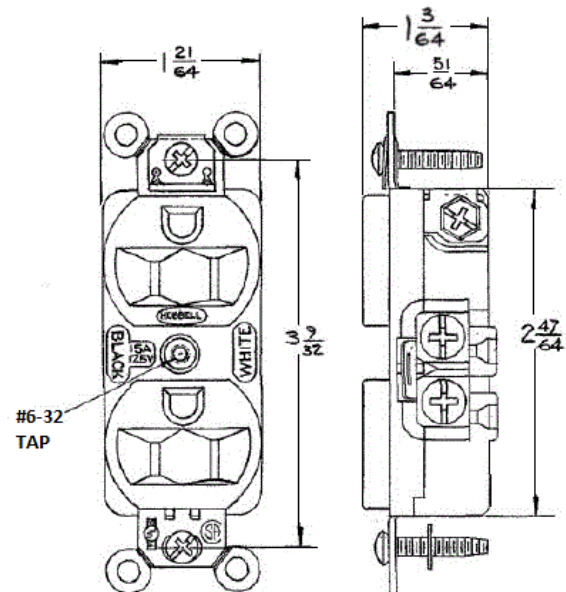
UL Listed to UL498 File No. E2186
 Certified to CSA 22.2, No. 42 File 285
 NEMA® WD-6 Compliant
 NEMA® WD-6 Compliant

Specifications

Base	Nylon
Power Contacts	.032 (0.8) Brass
Terminal Screws	#8-32 Brass, Multiple Drive
Mounting Strap	.031 in. (.8) Brass

Performance

Electrical	
Current Interrupting	Certified for current interrupting at full rated current
Dielectric Voltage	Withstands 2,000V minimum
Mechanical	
Product Identification	Ratings are a permanent part of the device
Terminal Accommodation	#14-#10 AWG copper stranded or solid conductor only
Terminal Identification	Terminals identified in accordance with UL 498 and CSA
Environmental	
Flammability	UL 94 V-2 or better
Operating Temperatures	Maximum continuous 75°C; minimum -40°C (w/o impact)



Accessories

Wallplate or Weatherproof Cover Duplex Opening

Resources

Customer Use Drawing
 eCatalog

Dimensions in Inches (mm)

Hubbell Wiring Device-Kellems • Hubbell Incorporated (Delaware) • 40 Waterview Drive • Shelton, CT 06484

Phone (800) 288-6000 • Fax (800) 255-1031 • Specifications subject to change without notice.

