

## Straight Blade Devices

### 15A, 250V, 2 Pole, 3 Wire Grounding

#### Compact Heavy Duty Specification Grade Duplex Receptacle

# HUBBELL

#### Features

- One-piece brass integral ground strap
- Unique bypass contact design

#### Ordering Information

Description	Device Color	UPC	Catalog Number
Flush, duplex, side	Brown	783585435367	HBL5652

#### Listings

UL Listed to UL498 File No. E2186  
Certified to CSA 22.2, No. 42 File 285  
NEMA® WD-6 Compliant  
NEMA® WD-6 Compliant

#### Specifications

Base	Nylon
Power Contacts	.032 (0.8) Brass
Terminal Screws	#8-32 Brass, Multiple Drive
Mounting Strap	.031 in. (.8) Brass

#### Performance

##### Electrical

Current Interrupting Certified for current interrupting at full rated current  
Dielectric Voltage Withstands 2,000V minimum

##### Mechanical

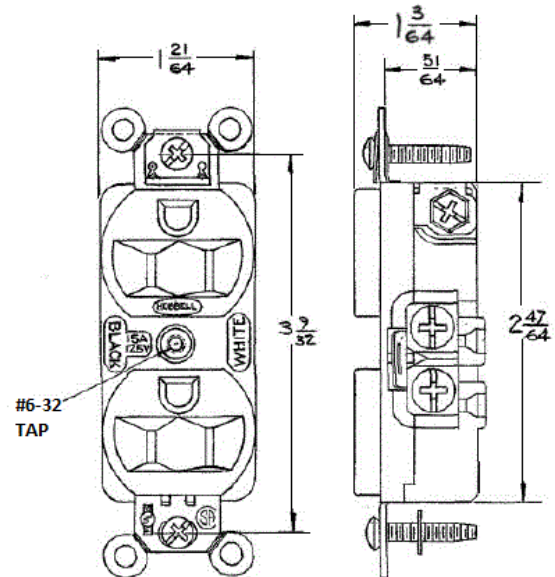
Product Identification Ratings are a permanent part of the device  
Terminal Accommodation #14-#10 AWG copper stranded or solid conductor only  
Terminal Identification Terminals identified in accordance with UL 498 and CSA

##### Environmental

Flammability UL 94 V-2 or better  
Operating Temperatures Maximum continuous 75°C; minimum -40°C (w/o impact)



15A 250V  
NEMA 6-15R  
UL CSA  
1.5 HP



#### Online Resources

Customer Use Drawing  
eCatalog  
Installation Instructions

#### Accessories

Wallplate or Weatherproof Cover

Duplex Openin

Dimensions in Inches (mm)

Hubbell Wiring Device-Kellems • Hubbell Incorporated (Delaware) • 40 Waterview Drive • Shelton, CT 06484

Phone (800) 288-6000 • Fax (800) 255-1031 • Specifications subject to change without notice.

