

Straight Blade Devices 15A, 250V, 2 Pole, 3 Wire Grounding Flanged Receptacles

HUBBELL

Features

- Stainless steel flange

Ordering Information

Description	Device Color	UPC	Catalog Number
Stainless steel flange, brown phenolic body	Brown	783585013206	HBL5656

Listings

UL Listed, File E2186
Certified to CSA, C22.2, No. 42
NEMA® WD-6 Compliant

Specifications

Face	Phenolic
Power Contacts	.040" (1.0) Brass
Terminal Screw	#8-32 Brass, Multiple Drive
Mounting Screw	Nickel plated brass

Performance

Electrical

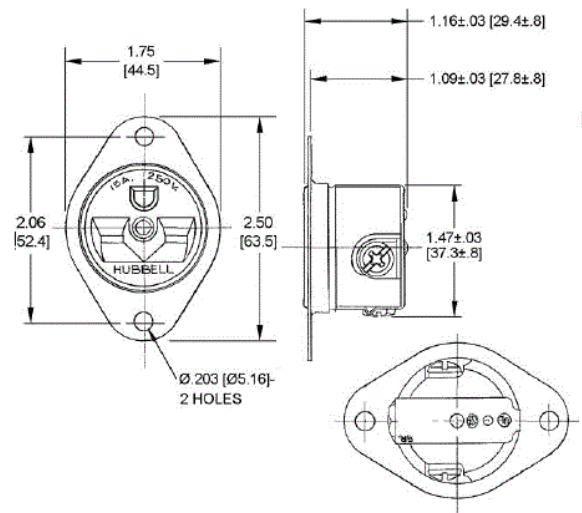
Current Interrupting Certified for current interrupting at full rated current
Dielectric Voltage Withstands 2,000V minimum

Mechanical

Product Identification Ratings are a permanent part of the device
Terminal Accommodation #14-#10 AWG copper stranded or solid wire only
Terminal Identification Terminals identified in accordance with UL 498 and CSA

Environmental

Flammability UL 94 V-0
Operating Temperatures Maximum continuous 75°C; minimum -40°C (w/o impact)



Resources

Customer Use Drawing
eCatalog

Dimensions in Inches (mm)

Hubbell Wiring Device-Kellems • Hubbell Incorporated (Delaware) • 40 Waterview Drive • Shelton, CT 06484

Phone (800) 288-6000 • Fax (800) 255-1031 • Specifications subject to change without notice.

