

Raceway Metal Raceway Round Extension Box (Open Base)

HUBBELL

Features

- For use with HBL500, HBL700 and HBL750 Series Raceway
- 4.75 inches O.D.
- For mounting on 3.25 in. (83.00) or 4 in. (102.00) round or square conduit boxes or other recessed outlets.
- Cover takes any device with mounting screw centers of 2.75 in. (69.85), 3.5 in. (89.00) and 4.06 in. (103.00).

Ordering Information

Description	Color	UPC Number	Catalog Number
Round Extension Box (Open Base)	Ivory	783585423234	HBL57371VA

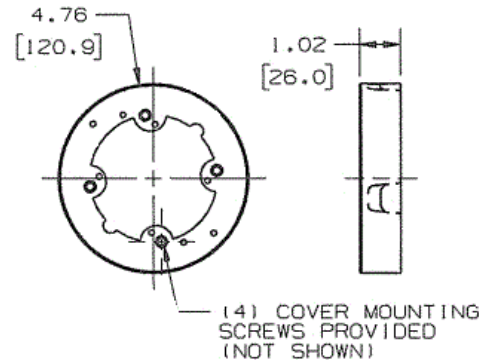


Listings

UL Listed
CSA Certified

Specifications

Height	4.75"
Width	4.75"
Length	1.02"



Online Resources

Customer Use Drawing
eCatalog
Installation Instructions

Dimensions in Inches (mm)

Hubbell Wiring Device-Kellems • Hubbell Incorporated (Delaware) • 40 Waterview Drive • Shelton, CT 06484

Phone (800) 288-6000 • Fax (800) 255-1031 • Specifications subject to change without notice.

