

**Raceway  
Metal Raceway  
Specialty Round Boxes**

**HUBBELL**

**Features**

- Retrofit Box for Fire Alarm Detectors
- For use with HBL500, HBL700 and HBL750 Series Raceway
- For installing round alarm sensors.

**Ordering Information**

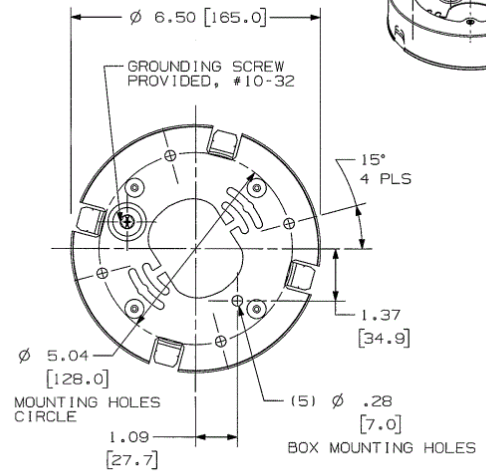
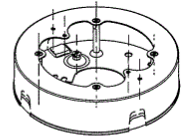
Description	Color	UPC Number	Catalog Number
Specialty Round Boxes	Ivory	783585423319	HBL5739AABIVA

**Listings**

UL Listed  
CSA Certified

**Specifications**

Height	6.50"
Width	6.50"
Length	1.62"



**Online Resources**

eCatalog

Dimensions in Inches (mm)

Hubbell Wiring Device-Kellems • Hubbell Incorporated (Delaware) • 40 Waterview Drive • Shelton, CT 06484

Phone (800) 288-6000 • Fax (800) 255-1031 • Specifications subject to change without notice.

