

**Raceway
Metal Raceway
Specialty Round Boxes**

HUBBELL

Features

- Retrofit Box for Fire Alarm Detectors
- For use with HBL500, HBL700 and HBL750 Series Raceway
- For installing round alarm sensors.

Ordering Information

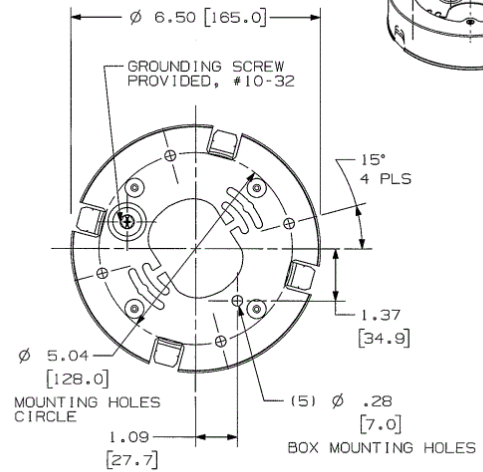
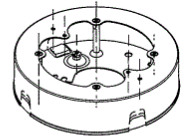
| Description | Color | UPC Number | Catalog Number |
|-----------------------|-------|--------------|----------------|
| Specialty Round Boxes | White | 783585423326 | HBL5739AABWA |

Listings

UL Listed
CSA Certified

Specifications

| | |
|--------|-------|
| Height | 6.50" |
| Width | 6.50" |
| Length | 1.62" |



Online Resources

Customer Use Drawing
eCatalog
Installation Instructions

Dimensions in Inches (mm)

Hubbell Wiring Device-Kellems • Hubbell Incorporated (Delaware) • 40 Waterview Drive • Shelton, CT 06484

Phone (800) 288-6000 • Fax (800) 255-1031 • Specifications subject to change without notice.

