

Raceway
Metal Raceway
HBL500 Series Cutter

HUBBELL

Features

- Portable cutter for HBL500 Series Raceway

Ordering Information

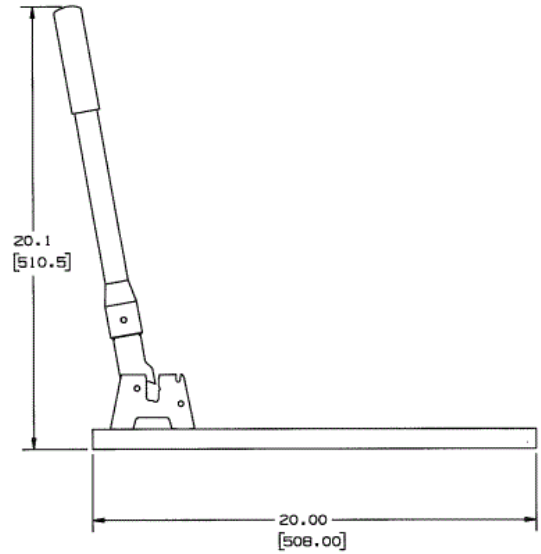
Description	Material	UPC Number	Catalog Number
HBL500 Series Cutter	Steel	783585217383	HBL605CUT

Listings

UL Listed
CSA Certified

Specifications

Height	3'
Width	0.5"
Length	3'



Online Resources

[Customer Use Drawing](#)
[eCatalog](#)
[Installation Instructions](#)

Dimensions in Inches (mm)

Hubbell Wiring Device-Kellems • Hubbell Incorporated (Delaware) • 40 Waterview Drive • Shelton, CT 06484

Phone (800) 288-6000 • Fax (800) 255-1031 • Specifications subject to change without notice.

