

Raceway
Metal Raceway
HBL750 Series Cutter

HUBBELL

Features

- Portable cutter for HBL750 Series Raceway

Ordering Information

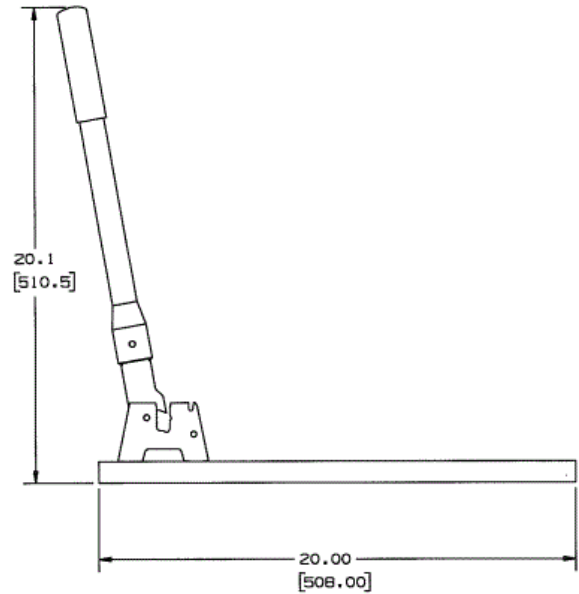
Description	Material	UPC Number	Catalog Number
HBL750 Series Cutter	Steel	783585217406	HBL607CUT

Listings

UL Listed
CSA Certified

Specifications

Height	3'
Width	0.5"
Length	3'



Online Resources

Customer Use Drawing
eCatalog
Installation Instructions

Dimensions in Inches (mm)

Hubbell Wiring Device-Kellems • Hubbell Incorporated (Delaware) • 40 Waterview Drive • Shelton, CT 06484

Phone (800) 288-6000 • Fax (800) 255-1031 • Specifications subject to change without notice.

