

Twist-Lock® Devices
 20A Accessories
 Weatherproof Boot



Features

- Weather protective covering
- Durable thermoplastic elastomer material
- Ribbed design provides a secure grip



Ordering Information

Description	Device Color	UPC	Catalog Number
Seal-Tite triple seal cover for connector bodies when used in cord sets	Yellow	783585752532	HBL60CM32

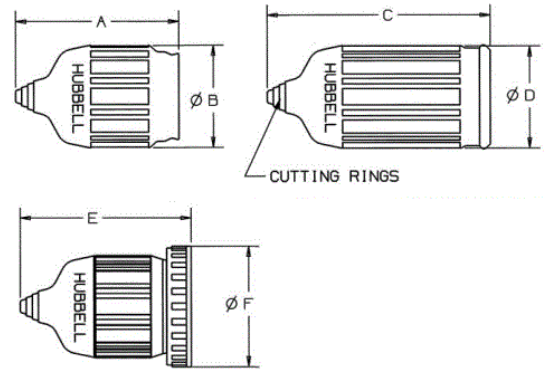
Specifications

Material	Thermoplastic Elastomer
----------	-------------------------

Performance

Environmental

Moisture Resistance	IP55
Operating Temperatures	Maximum Continuous 75°C; Minimum -40°C (w/o impact)



Accessories

Connector Accommodation	20 Amp & 30 Amp, 3 Wire Twist-Lock®
-------------------------	-------------------------------------

Resources

Customer Use Drawing
 eCatalog

Dimensions in Inches (mm)

Hubbell Wiring Device-Kellems • Hubbell Incorporated (Delaware) • 40 Waterview Drive • Shelton, CT 06484

Phone (800) 288-6000 • Fax (800) 255-1031 • Specifications subject to change without notice.

