

Locking Devices

NEMA Twist-Lock

Weatherproof Device Boot With Threaded Ring

Features

- For 20A and 30A 3 Wire Plugs and Connectors
- Short Valise Boot for Plug

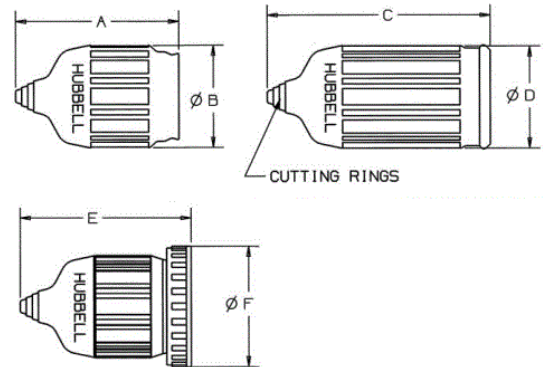
Ordering Information

Color White	UPC 783585752419	Catalog Number HBL60CM33W
-----------------------	----------------------------	--

Performance

Environmental Moisture Resistance	IP56 Suitability
---	------------------

HUBBELL



Online Resources

[Customer Sales Drawings](#)
[eCatalog](#)
[Installation Instructions](#)

Dimensions in Inches (mm)

Hubbell Wiring Device-Kellems • Hubbell Incorporated (Delaware) • 40 Waterview Drive • Shelton, CT 06484

Phone (800) 288-6000 • Fax (800) 255-1031 • Specifications subject to change without notice.

