

Twist-Lock® Devices  
20A Accessories  
Weatherproof Boot

# HUBBELL

## Features

- Weather protective covering
- Durable thermoplastic elastomer material
- Ribbed design provides a secure grip

## Ordering Information

Description	Device Color	UPC	Catalog Number
Seal-Tite® triple seal boot for plugs when used in a cord set or for connector bodies when used with a flange inlet	Yellow	783585752570	HBL60CM35



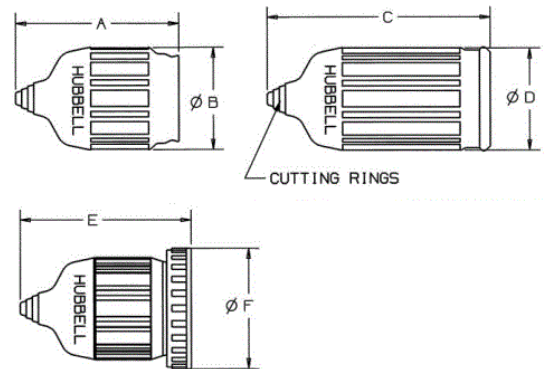
## Specifications

Material	Thermoplastic Elastomer
----------	-------------------------

## Performance

### Environmental

Moisture Resistance	IP55
Operating Temperatures	Maximum Continuous 75°C; Minimum -40°C (w/o impact)



## Accessories

Plug/Connector Accommodation 20 Amp & 30 Amp, 4 & 5 Wire Twist-Lock®

## Resources

Customer Use Drawing  
eCatalog

Dimensions in Inches (mm)

Hubbell Wiring Device-Kellems • Hubbell Incorporated (Delaware) • 40 Waterview Drive • Shelton, CT 06484

Phone (800) 288-6000 • Fax (800) 255-1031 • Specifications subject to change without notice.

