

Stage Pin Devices

60A/125V Female Inline

HUBBELL

Ordering Information

| Description | Device Color | UPC Number | Catalog Number |
|---|--------------|--------------|----------------|
| Lightweight, Impact Resistant, Easy to Wire, ESTA Compliant 60A Stage Pin Devices | Black | 783585578330 | HBL60SPF |

Listings

cULus
UL Enc Type 1
ESTA Compliant

Specifications

| | |
|-------------------------|-------------------|
| Housing Material | Super-Tough Nylon |
| Contact Material | Brass |
| Contact Sleeve Material | PBT |

Performance

Electrical

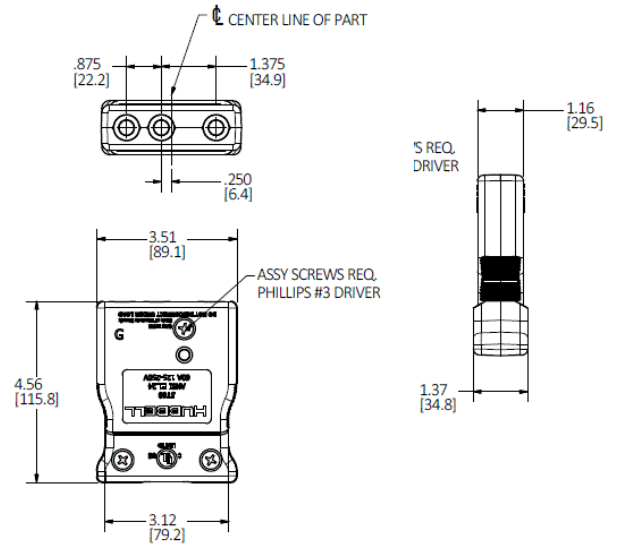
| | |
|-----------------|--------------|
| Amperage Rating | 60A Maximum |
| Voltage Rating | 125V Maximum |

Mechanical

| | |
|------------|--|
| Wire Range | #4-#6 Type SC, 6/3-8/3 Type W, 4/3 Type SOOW |
|------------|--|

Environmental

| | |
|---------------------|---------------------|
| Moisture Resistance | UL Enclosure Type 1 |
|---------------------|---------------------|



Single Cable Sets and Breakouts in One Device

| Device | Cable Combination | Device | Cable Combination |
|----------|---------------------|-----------|-------------------------------|
| 60A/125V | (3) #6 SC | 100A/125V | (2) #4 SC (1) #6 SC |
| | (6) #6 SC | | (4) #4 SC (2) #6 SC |
| | (2) #4 SC (1) #6 SC | | 100A/250V (2) #2 SC (1) #6 SC |
| | #8/3 TYPE W | | #6/3 AWG TYPE W |
| | #6/3 SOOW | | #4/3 AWG TYPE W |
| | #4/3 TYPE W | | |

Online Resources

Customer Sales Drawing
eCatalog
Installation Instructions

Dimensions in Inches (mm)

Hubbell Wiring Device-Kellems • Hubbell Incorporated (Delaware) • 40 Waterview Drive • Shelton, CT 06484

Phone (800) 288-6000 • Fax (800) 255-1031 • Specifications subject to change without notice.

