

Stage Pin Devices
60A/125V Male Inline



Ordering Information

Description	Device Color	UPC Number	Catalog Number
Lightweight, Impact Resistant, Easy to Wire, ESTA Compliant 60A Stage Pin Devices	Black	783585578323	HBL60SPM

Listings

cULus
 UL Enc Type 1
 ESTA Compliant

Specifications

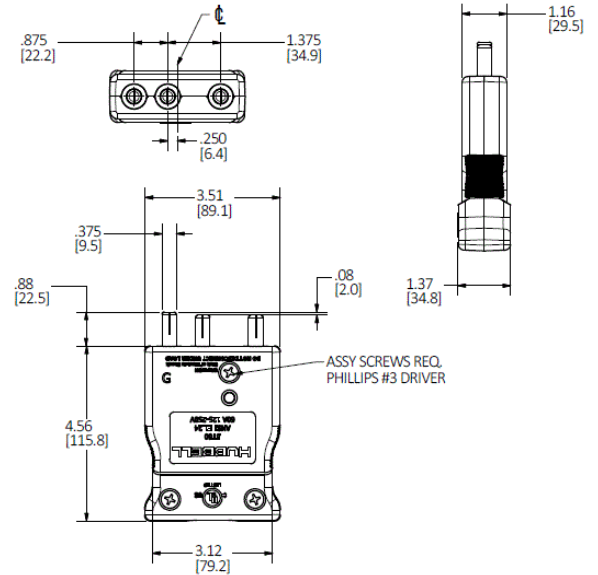
Housing Material	Super-Tough Nylon
Contact Material	Brass
Contact Sleeve Material	PBT

Performance

Electrical	
Amperage Rating	60A Maximum
Voltage Rating	125V Maximum

Mechanical	
Wire Range	#4-#6 Type SC, 6/3-8/3 Type W, 4/3 Type SOOW

Environmental	
Moisture Resistance	UL Enclosure Type 1



Single Cable Sets and Breakouts in One Device

Device	Cable Combination	Device	Cable Combination	
60A/125V	(3) #6 SC	100A/125V	(2) #4 SC	
	(6) #6 SC		(1) #6 SC	
	(2) #4 SC		(4) #4 SC	
	(1) #6 SC		(2) #6 SC	
	#8/3 TYPE W		(2) #2 SC	(1) #6 SC
	#6/3 SOOW		#6/3 AWG	TYPE W
#4/3 TYPE W	#4/3 AWG	TYPE W		

Online Resources

Customer Sales Drawing
 eCatalog
 Installation Instructions

Dimensions in Inches (mm)

Hubbell Wiring Device-Kellems • Hubbell Incorporated (Delaware) • 40 Waterview Drive • Shelton, CT 06484

Phone (800) 288-6000 • Fax (800) 255-1031 • Specifications subject to change without notice.

