

Straight Blade Devices
15A, 125V, 2 Pole, 3 Wire Grounding
Flanged Inlets

HUBBELL

Features

- Weatherproof flip lid
- Weatherproof boot covers terminals
- Multiple drive screws
- Nickel plated brass blades

Ordering Information

| Description | Device Color | UPC | Catalog Number |
|----------------------------------|--------------|--------------|----------------|
| Weatherproof lift cover and boot | Gray | 783585808659 | HBL61CM64 |



Listings

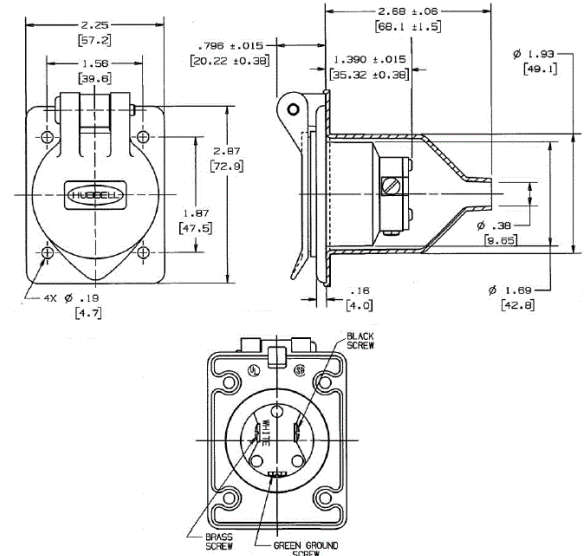
UL Listed, File E1706
Certified to CSA, C22.2, No. 42
NEMA® WD-6 Compliant

Specifications

| | |
|-----------------|-----------------------------|
| Base | Nylon |
| Power Contacts | .040" (1.0) Brass |
| Terminal Screws | #8-32 Brass, Multiple Drive |
| Mounting Screw | Stainless steel |

Performance

| | |
|-------------------------|--|
| Electrical | |
| Current Interrupting | Certified for current interrupting at full rated current |
| Dielectric Voltage | Withstands 2,000V minimum |
| Mechanical | |
| Product Identification | Ratings are a permanent part of the device |
| Terminal Accommodation | #14-#10 AWG copper stranded or solid conductor only |
| Terminal Identification | Terminals identified in accordance with UL498 |
| Environmental | |
| Flammability | UL 94 V-2 |
| Operating Temperatures | Maximum continuous 75°C; minimum -40°C (w/o impact) |



Resources

Customer Use Drawing
eCatalog

Dimensions in Inches (mm)

Hubbell Wiring Device-Kellems • Hubbell Incorporated (Delaware) • 40 Waterview Drive • Shelton, CT 06484

Phone (800) 288-6000 • Fax (800) 255-1031 • Specifications subject to change without notice.

