

Raceway  
Metal Raceway  
HBL2000 Series Cutter

# HUBBELL

### Features

- Portable cutter for HBL2000 Series Raceway
- Not for use with HBL2000A series

### Ordering Information

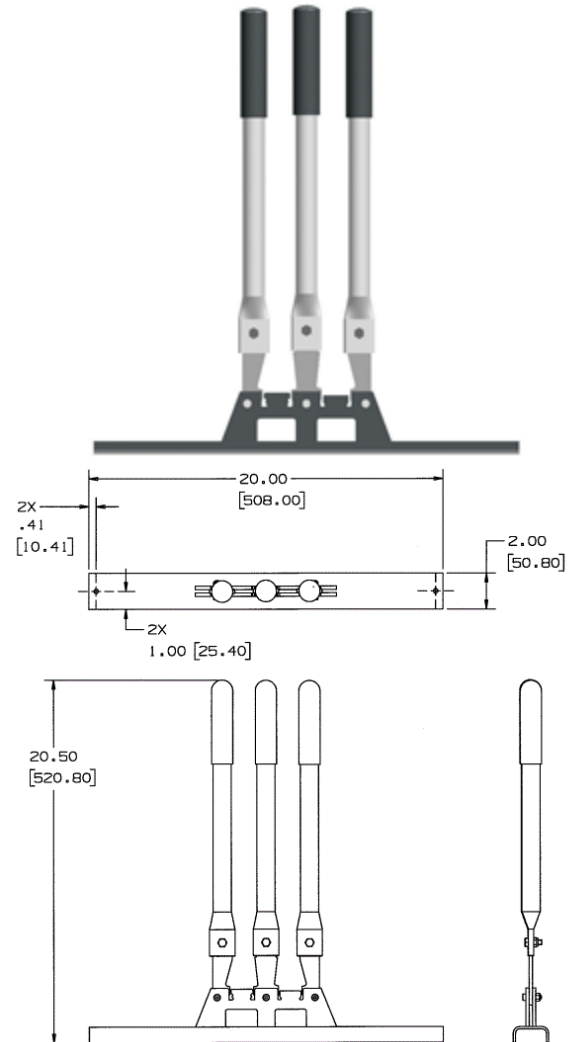
Description	Material	UPC Number	Catalog Number
HBL2000 Series Cutter	Steel	783585217437	HBL620C

### Listings

UL Listed  
CSA Certified

### Specifications

Height	3'
Width	0.5"
Length	3'



### Online Resources

Customer Use Drawing  
eCatalog  
Installation Instructions

Dimensions in Inches (mm)

Hubbell Wiring Device-Kellems • Hubbell Incorporated (Delaware) • 40 Waterview Drive • Shelton, CT 06484

Phone (800) 288-6000 • Fax (800) 255-1031 • Specifications subject to change without notice.

