

Raceway
Metal Raceway
HBL6750 Series Base Cutter

HUBBELL

Features

- Portable cutter for HBL6750 Series Raceway Base

Ordering Information

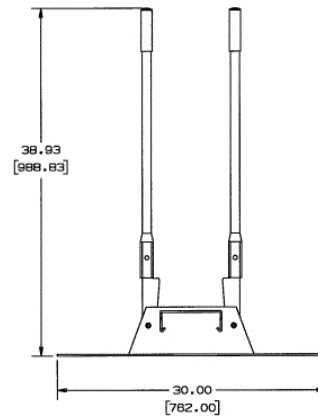
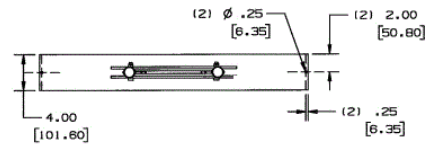
Description	Material	UPC Number	Catalog Number
Base Cutter	Steel	783585217529	HBL660B

Listings

UL Listed
 CSA Certified

Specifications

Height	3'
Width	0.5"
Length	3'



Online Resources

- Customer Use Drawing
- eCatalog
- Installation Instructions

Dimensions in Inches (mm)

Hubbell Wiring Device-Kellems • Hubbell Incorporated (Delaware) • 40 Waterview Drive • Shelton, CT 06484

Phone (800) 288-6000 • Fax (800) 255-1031 • Specifications subject to change without notice.

