

Raceway
Metal Raceway

HBL6750 Series Entrance End Fitting,
Divided

HUBBELL

Features

- For connecting HBL6750 Raceway with rigid or flexible conduit.
- Concentric 3/4 in., 1 in. and 1 1/4 in. trade size KOs on back and end.
- Full capacity 1 1/4 in. bend radius entrance end fitting.
- Includes 3/4 in., 1 in. and 1 1/4 in. KO and removable dividers.
- HBL4751AC couplings included.



Ordering Information

| Description | Material | UPC Number | Catalog Number |
|-------------------------------|----------|--------------|----------------|
| Entrance End Fitting, Divided | Steel | 783585217598 | HBL6710DFOIV |

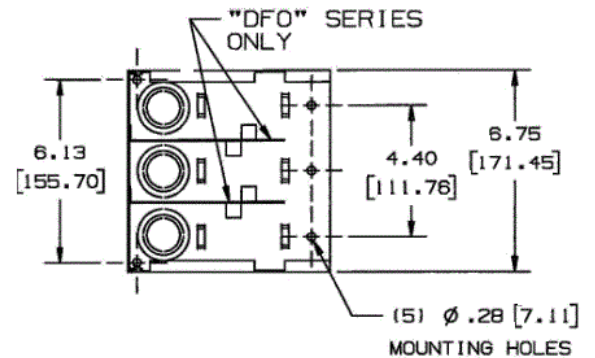
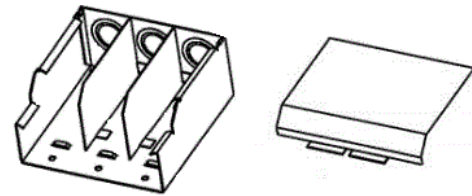
Color
Ivory

Listings

UL Listed
CSA Certified

Specifications

| | |
|--------|-------|
| Height | 3.18" |
| Width | 6.75" |
| Length | 6.75" |



Online Resources

Customer Use Drawing
eCatalog
Installation Instructions

Dimensions in Inches (mm)

Hubbell Wiring Device-Kellems • Hubbell Incorporated (Delaware) • 40 Waterview Drive • Shelton, CT 06484

Phone (800) 288-6000 • Fax (800) 255-1031 • Specifications subject to change without notice.

