

Raceway  
Metal Raceway  
HBL6750 Series Internal Corner Coupling  
(Plated)

# HUBBELL

### Features

- Concealed fitting for making an internal corner while continuing original run in a straight line.

### Ordering Information

Description	Material	UPC Number	Catalog Number
Internal Corner Coupling (Plated)	Galvanized Steel	783585217802	HBL6717TCAGY

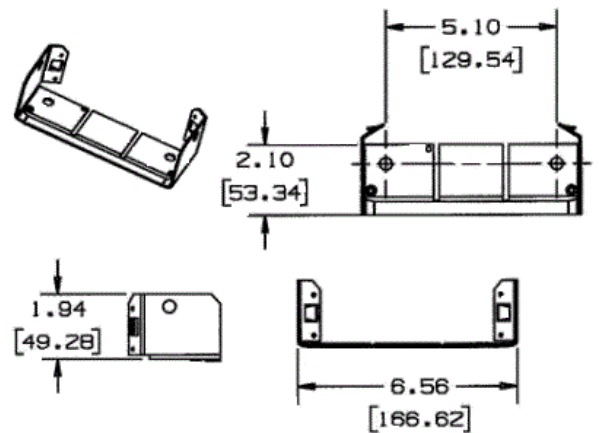
Color  
Gray

### Listings

UL Listed  
CSA Certified

### Specifications

Height	1.94"
Width	6.56"
Length	1.94"



### Online Resources

Customer Use Drawing  
eCatalog  
Installation Instructions

Dimensions in Inches (mm)

Hubbell Wiring Device-Kellems • Hubbell Incorporated (Delaware) • 40 Waterview Drive • Shelton, CT 06484

Phone (800) 288-6000 • Fax (800) 255-1031 • Specifications subject to change without notice.

