

**Raceway**  
**Metal Raceway**  
**HBL6750 Series External Elbow, Divided**

# HUBBELL

**Features**

- For right angle turns around external corners.
- Full capacity 1¼ in. bend radius external elbow.
- HBL6751A couplings included

**Ordering Information**

Description	Material	UPC Number	Catalog Number
External Elbow, Divided	Steel	783585217819	HBL6718DFOGY

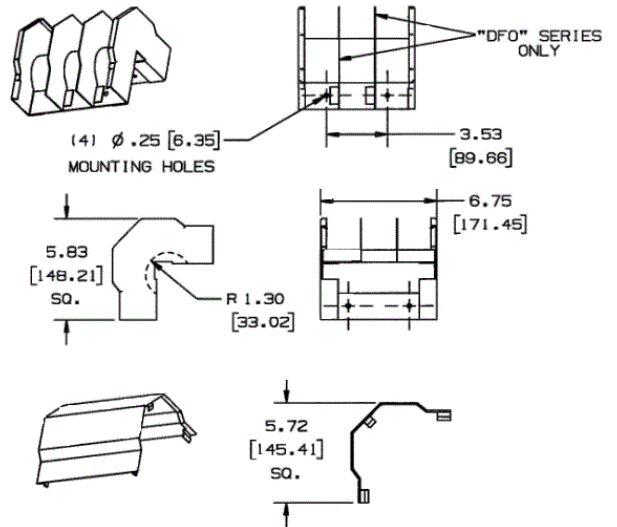
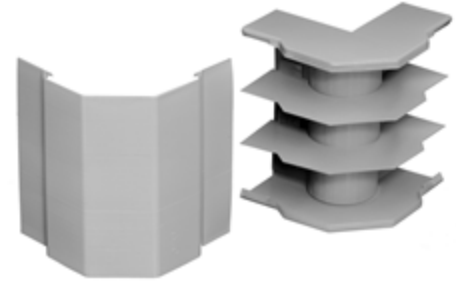
**Color**  
 Gray

**Listings**

UL Listed  
 CSA Certified

**Specifications**

Height	6.75"
Width	5.83"
Length	5.83"



**Online Resources**

Customer Use Drawing  
 eCatalog  
 Installation Instructions

Dimensions in Inches (mm)

Hubbell Wiring Device-Kellems • Hubbell Incorporated (Delaware) • 40 Waterview Drive • Shelton, CT 06484

Phone (800) 288-6000 • Fax (800) 255-1031 • Specifications subject to change without notice.

