

Raceway
Metal Raceway
HBL6750 Series External Elbow, Divided

HUBBELL

Features

- For right angle turns around external corners.
- Full capacity 1¼ in. bend radius external elbow.
- HBL6751A couplings included

Ordering Information

Description	Material	UPC Number	Catalog Number
External Elbow, Divided	Steel	783585217826	HBL6718DFOIV

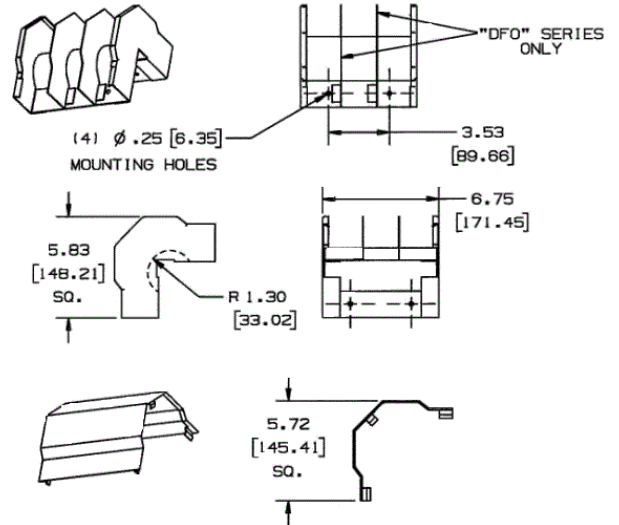
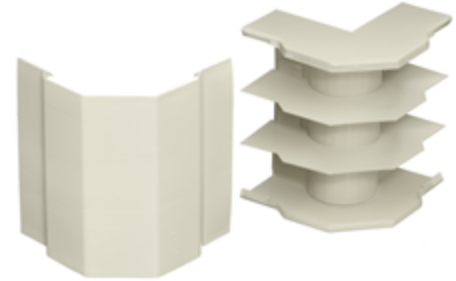
Color
Ivory

Listings

UL Listed
CSA Certified

Specifications

Height	6.75"
Width	5.83"
Length	5.83"



Online Resources

Customer Use Drawing
eCatalog
Installation Instructions

Dimensions in Inches (mm)

Hubbell Wiring Device-Kellems • Hubbell Incorporated (Delaware) • 40 Waterview Drive • Shelton, CT 06484

Phone (800) 288-6000 • Fax (800) 255-1031 • Specifications subject to change without notice.

