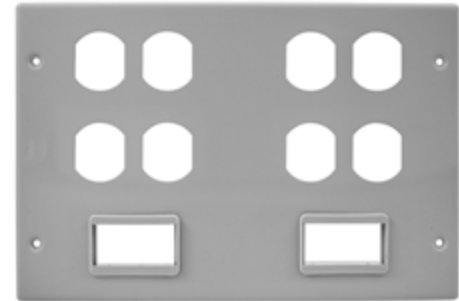


Raceway
Metal Raceway
HBL6750 Series 6-Gang Plate

HUBBELL

Features

- Four Duplex Openings, Two Ortronics® Series II® Mini Adapter Bezels
- For 15A and 20A duplex receptacles and duplex communication frames shown on page R-45.
- Includes two Ortronics® Series II® Mini Adapter Bezels.
- Includes Mounting Bracket



Ordering Information

Description	Material	UPC Number	Catalog Number
6-Gang Plate	Steel	783585217918	HBL67473BBBBSSG

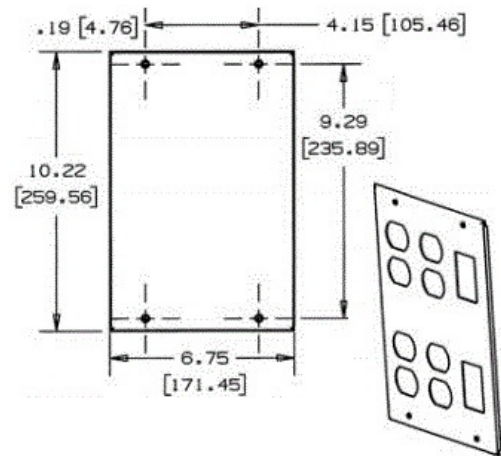
Color
Gray

Listings

UL Listed
CSA Certified

Specifications

Height	6.75"
Width	10.22"
Length	0.2"



Online Resources

Customer Use Drawing
eCatalog
Installation Instructions

Dimensions in Inches (mm)

Hubbell Wiring Device-Kellems • Hubbell Incorporated (Delaware) • 40 Waterview Drive • Shelton, CT 06484

Phone (800) 288-6000 • Fax (800) 255-1031 • Specifications subject to change without notice.

