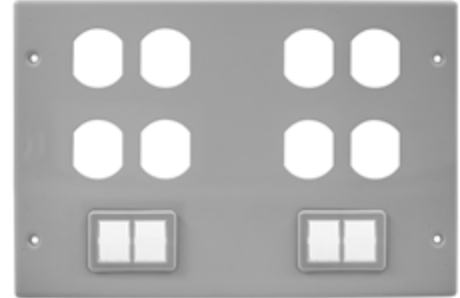


**Raceway**  
**Metal Raceway**  
**HBL6750 Series 6-Gang Plate**

# HUBBELL

### Features

- Four Duplex Openings, Two Ortronics® TracJack® Mini Adapter Bezels
- For 15A and 20A duplex receptacles and duplex communication frames shown on page R-45.
- Includes two Ortronics® TracJack® Mini Adapter Bezels.
- Includes Mounting Bracket



### Ordering Information

Description	Material	UPC Number	Catalog Number
6-Gang Plate	Steel	783585217932	HBL67473BBBBTTG

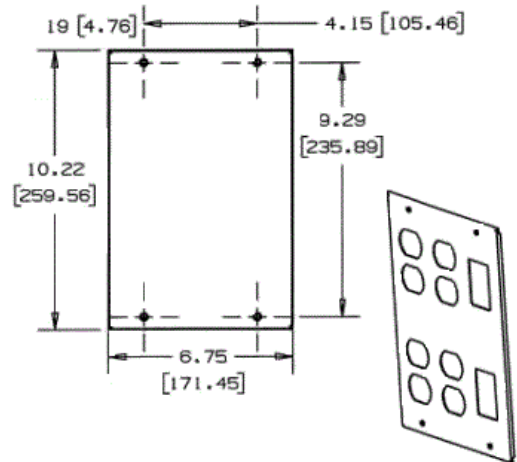
**Color**  
Gray

### Listings

UL Listed  
CSA Certified

### Specifications

Height	6.75"
Width	10.22"
Length	0.2"



### Online Resources

Customer Use Drawing  
eCatalog  
Installation Instructions

Dimensions in Inches (mm)

Hubbell Wiring Device-Kellems • Hubbell Incorporated (Delaware) • 40 Waterview Drive • Shelton, CT 06484

Phone (800) 288-6000 • Fax (800) 255-1031 • Specifications subject to change without notice.

