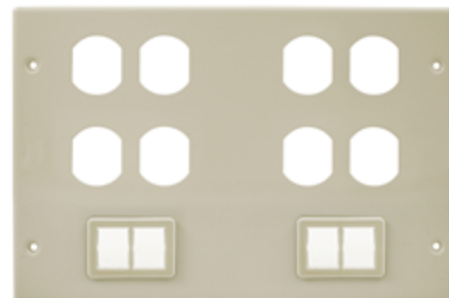


**Raceway
Metal Raceway
HBL6750 Series 6-Gang Plate**

HUBBELL

Features

- Four Duplex Openings, Two Ortronics® TracJack® Mini Adapter Bezels
- For 15A and 20A duplex receptacles and duplex communication frames shown on page R-45.
- Includes two Ortronics® TracJack® Mini Adapter Bezels.
- Includes Mounting Bracket



Ordering Information

| Description | Material | UPC Number | Catalog Number |
|--------------|----------|--------------|------------------|
| 6-Gang Plate | Steel | 783585217949 | HBL67473BBBBTTIV |

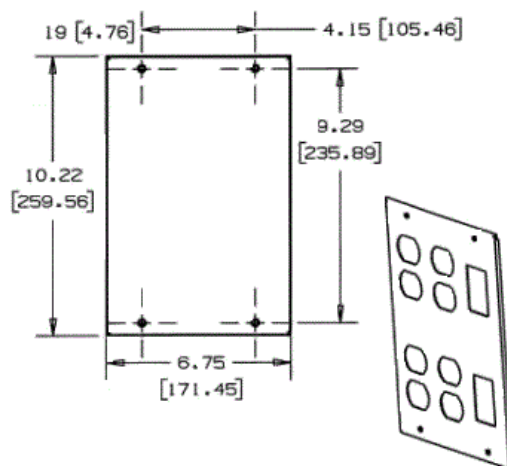
Color
Ivory

Listings

UL Listed
CSA Certified

Specifications

| | |
|--------|--------|
| Height | 6.75" |
| Width | 10.22" |
| Length | 0.2" |



Online Resources

Customer Use Drawing
eCatalog
Installation Instructions

Dimensions in Inches (mm)

Hubbell Wiring Device-Kellems • Hubbell Incorporated (Delaware) • 40 Waterview Drive • Shelton, CT 06484

Phone (800) 288-6000 • Fax (800) 255-1031 • Specifications subject to change without notice.

