

Raceway  
Metal Raceway  
HBL6750 Series 6-Gang Plate

# HUBBELL

## Features

- Four Duplex Openings, Two Blanks
- For four 15A and 20A duplex receptacles and duplex communication frames shown on page R-45.
- Includes Mounting Bracket

## Ordering Information

Description	Material	UPC Number	Catalog Number
6-Gang Plate	Steel	783585217963	HBL67473BBBBXXIV

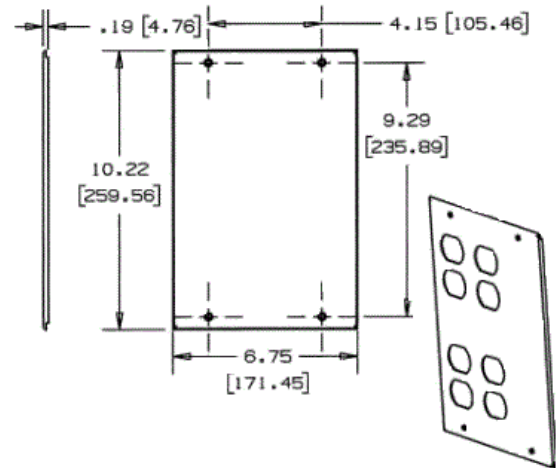
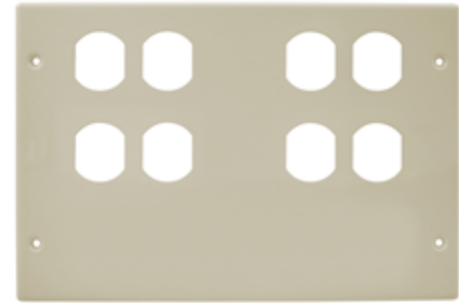
**Color**  
Ivory

## Listings

UL Listed  
CSA Certified

## Specifications

Height	6.75"
Width	10.22"
Length	0.2"



## Online Resources

Customer Use Drawing  
eCatalog  
Installation Instructions

Dimensions in Inches (mm)

Hubbell Wiring Device-Kellems • Hubbell Incorporated (Delaware) • 40 Waterview Drive • Shelton, CT 06484

Phone (800) 288-6000 • Fax (800) 255-1031 • Specifications subject to change without notice.

