

Raceway
Metal Raceway
HBL6750 Series 6-Gang Plate

HUBBELL

Features

- Four Style Line® Openings, Two Blanks
- For four Style Line rectangular receptacles, GFCI, surge devices and rectangular communication frames shown on page R-45.
- Includes Mounting Bracket

Ordering Information

Description	Material	UPC Number	Catalog Number
6-Gang Plate	Steel	783585217970	HBL67473RRRRXXG

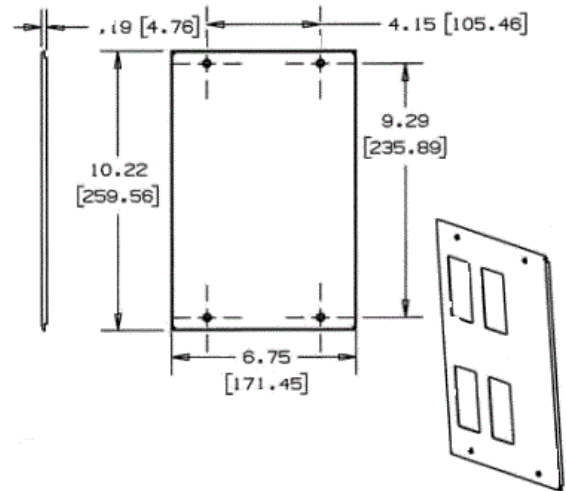
Color
Gray

Listings

UL Listed
CSA Certified

Specifications

Height	6.75"
Width	10.22"
Length	0.2"



Online Resources

Customer Use Drawing
eCatalog
Installation Instructions

Dimensions in Inches (mm)

Hubbell Wiring Device-Kellems • Hubbell Incorporated (Delaware) • 40 Waterview Drive • Shelton, CT 06484

Phone (800) 288-6000 • Fax (800) 255-1031 • Specifications subject to change without notice.

